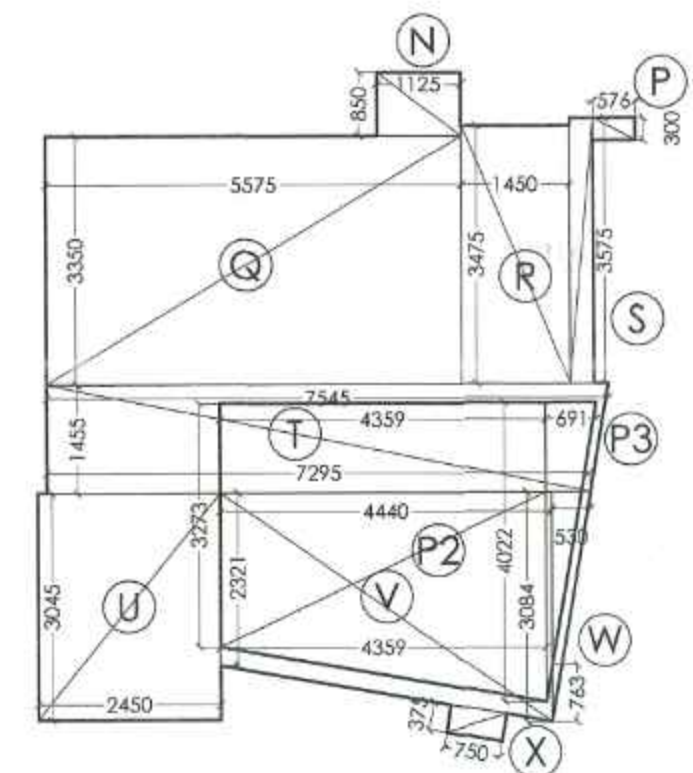
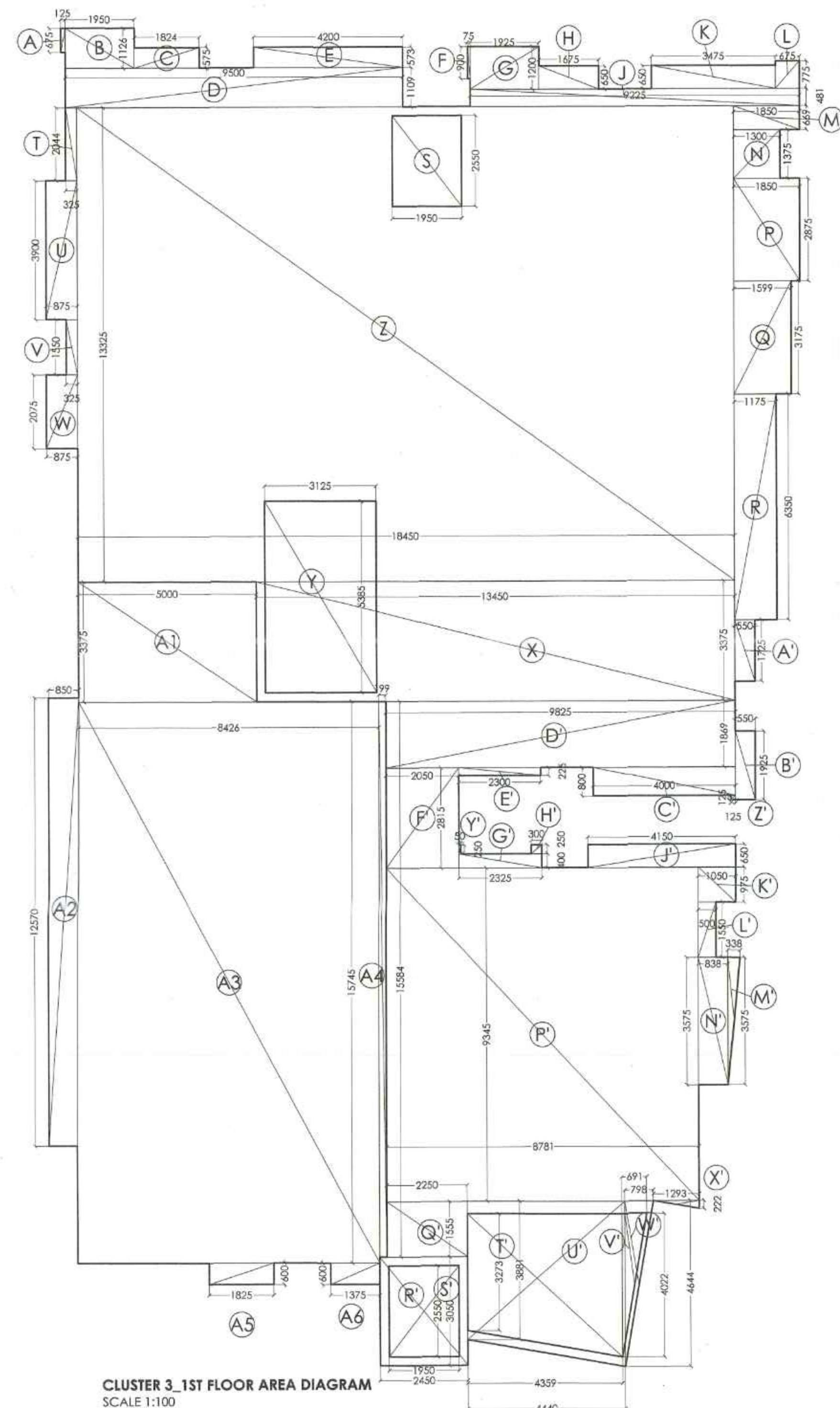


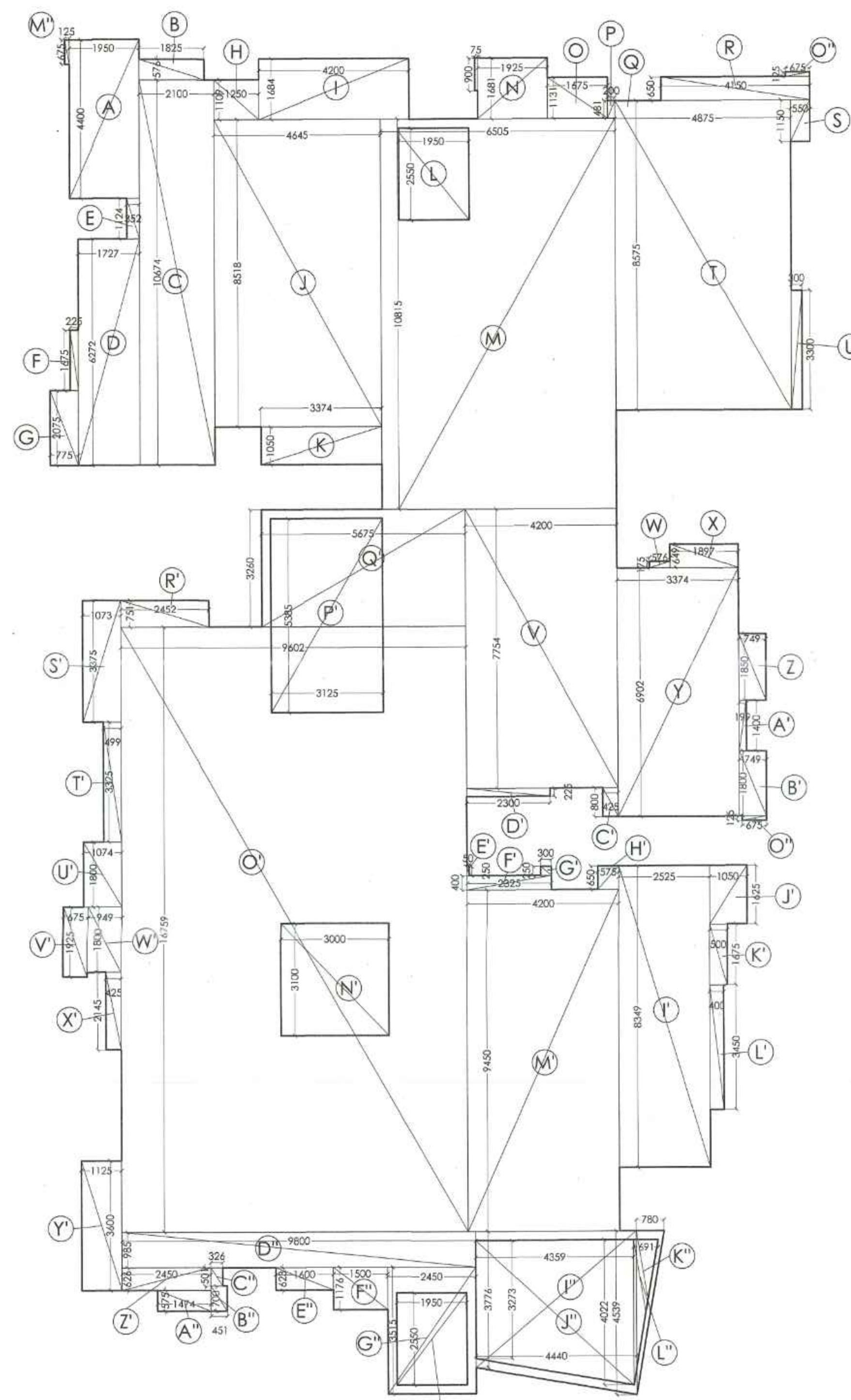
CLUSTER 3 STILT FLOOR AREA DIAGRAM
SCALE 1:100



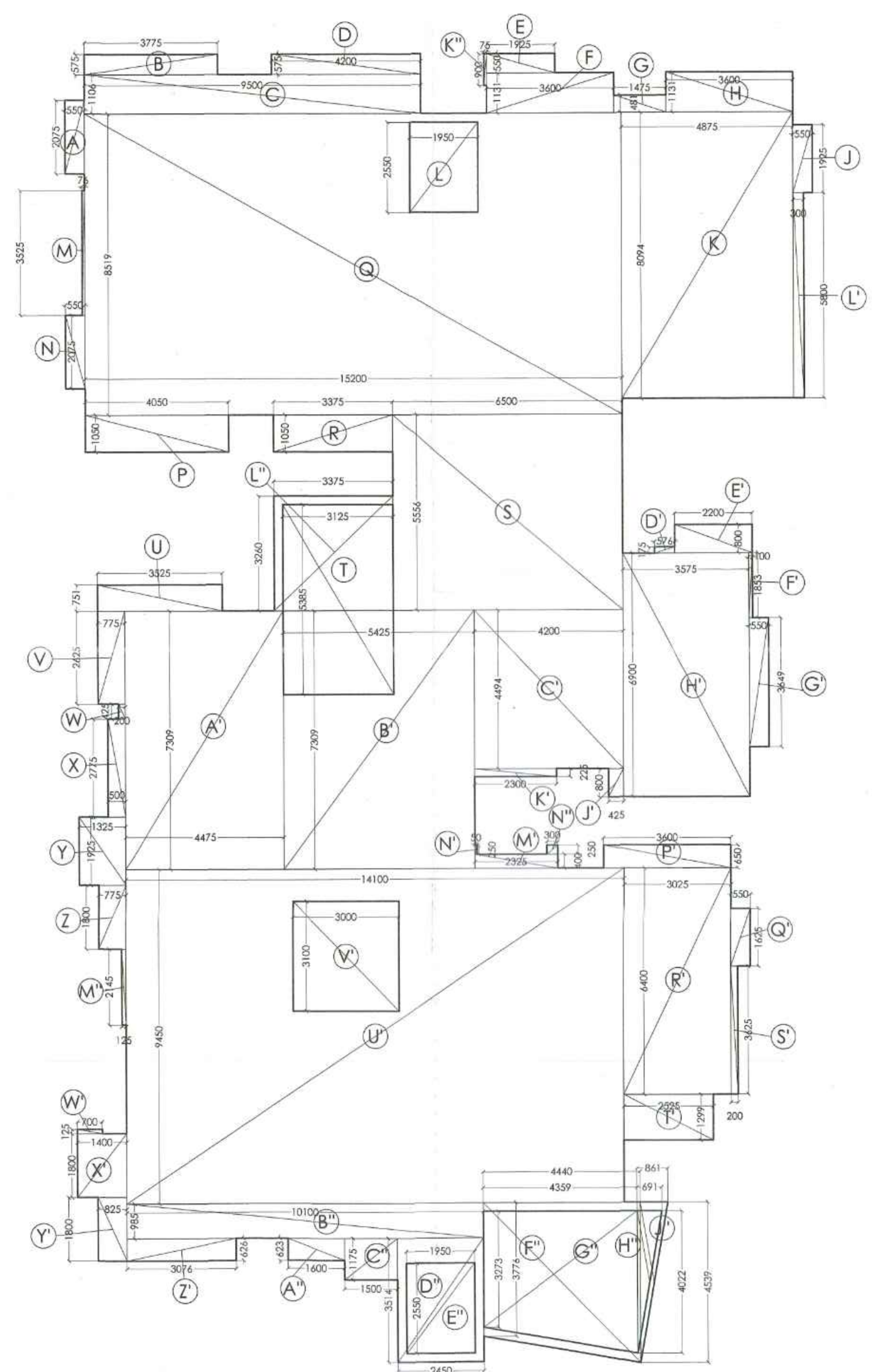
CLUSTER 3 STILT FLOOR AREA DIAGRAM
SCALE 1:100



CLUSTER 3 1ST FLOOR AREA DIAGRAM
SCALE 1:100



CLUSTER 3 2ND FLOOR AREA DIAGRAM
(3RD, 5TH, 6TH, 8TH, 9TH & 10TH FLOOR
SIMILAR)
SCALE 1:100



CLUSTER 3 4TH FLOOR AREA DIAGRAM
(7TH & 11TH FLOOR SIMILAR)
SCALE 1:100

AREA CALCULATION FOR CLUSTER 3 - STILT FLOOR						
SL. NO.	REGION	Length (in mm)	Width (in mm)	Height (in mm)	Factor	AREA (in Sq.M)
1	A	2450	2800		1	6.86
2	B	2575	600		1	1.55
3	C	5825	5369		1	31.27
4	D	6075	800		1	4.86
5	E	2575	1247		1	3.21
6	F	2650	1461		1	3.87
7	G	250	1509		1	0.40
8	H	1325	6260		1	8.29
9	I	2300	5884		1	13.53
10	K	5350	1778		1	9.51
11	L	900	3388		1	3.05
12	M	1025	1941		1	1.99
13	N	1125	850		1	0.96
14	P	575	300		1	0.17
15	Q	575	3350		1	18.68
16	R	1450	3475		1	5.04
17	S	325	3575		1	1.16
18	T	745	7295	1455	1	10.80
20	U	2450	3045		1	7.46
21	V	2321	3085	4440	1	12.00
23	W	530	3084		0.5	0.82
24	X	750	375		1	0.28
TOTAL (A)						145.76
AREA DEDUCTION - STAIRCASE & LIFT LOBBY (NON FAR)						
25	P1	3125	5385		1	16.83
26	P2	4022	3273	4359	1	15.90
27	P3	691	4022		0.5	1.39
28	Lift lobby 1				1	3.00
29	Lift lobby 2				1	3.00
TOTAL (B)						40.12
TOTAL (A-B)						105.65

AREA CALCULATION FOR CLUSTER 3 - 1ST FLOOR						
SL. NO.	REGION	Length (in mm)	Width (in mm)	Height (in mm)	Factor	AREA (in Sq.M)
1	A	125	675		1	0.08
2	B	1950	1136		1	2.20
3	C	1824	575		1	1.05
4	D	9500	1110		1	10.55
5	E	4200	573		1	2.41
6	F	75	900		1	0.07
7	G	3225	1200		1	2.31
8	H	1675	650		1	1.09
9	J	9225	481		1	4.44
10	K	3475	650		1	2.26
11	L	675	775		1	0.52
12	M	1850	670		1	1.24
13	N	1300	1375		1	1.79
14	P	1850	2975		1	5.52
15	Q	1100	3175		1	5.08
16	R	1175	6350		1	7.46
17	S	1950	2350		-1	-4.97
18	T	225	2044		1	0.66
19	U	875	3900		1	3.41
20	V	325	1550		1	0.50
21	W	875	2075		1	1.82
22	X	13450	3375		1	45.39
23	Z	12325	18450		1	245.85
24	A'	550	1725		1	0.95
25	B'	550	1925		1	1.06
26	C'	4000	800		1	3.20
27	D'	4925	1870		1	18.32
28	E'	2300	225		1	0.52
29	F'	2050	2815		1	5.77
30	G'	2325	400		1	0.93
31	H'	300	250		1	0.08
32	J'	4150	650		1	2.70
33	K'	1050	975		1	1.02
34	L'	500	1900		1	0.75
35	M'	338	3575		0.5	0.60
36	N'	838	3575		1	3.00
37	P'	9345	8780		1	82.05
38	Q'	2250	1555		1	3.50
39	R'	3550	2450		1	7.47
40	S'	1950	2350		-1	-4.97
41	U'	4644	3881	4440	1	18.93
42	W'	798	4644		0.5	1.85
43	X'	1299	222		0.5	0.14
44	Y'	59	750		1	0.01
45	Z'	125	125		1	0.02
TOTAL BUILT UP AREA (A)						488.46
AREA DEDUCTION - STAIRCASE, LIFT LOBBY (NON FAR)						
46	Y'	3125	5385		1	16.83
47	T'	4022	3273	4359	1	15.90
48	V'	691	4022		0.5	1.39
49	Lift lobby 1				1	3.00
50	Lift lobby 2				1	3.00
TOTAL NON FAR AREA (B)						40.12
TOTAL FAR AREA (A+B)						448.34
CLUB (FAR AREA)						
51	A1	5000	3375		1	16.88
52	A2	850	12570		1	10.68
53	A3	8425	15745		1	132.65
54	A4	200	15585		1	3.12
55	A5	1825	600		1	1.10
56	A6	1375	600		1	0.83
TOTAL BUILT UP AREA (A)						165.25
TOTAL BUILT UP AREA (A+B)						613.59

AREA CALCULATION FOR CLUSTER 3 - 2ND FLOOR (3RD, 5TH, 6TH, 8TH, 9TH & 10TH SIMILAR)						
SL. NO.	REGION	Length (in mm)	Width (in mm)	Height (in mm)	Factor	AREA (in Sq.M)
1	A	1950	4400		1	8.58
2	B	1825	575		1	1.05
3	C	2100	10675		1	22.42
4	D	1725	6270		1	10.82
5	E	350	1125		1	0.39
6	F	225	1675		1	0.38
7	G	775	2075		1	1.61
8	H	1250	1110		1	1.39
9	J	4645	8520		1	39.58
10	K	3375	1050		1	3.54
11	L	1950	2350		-1	-4.97
12	M	6505	10815		1	70.35
13	N	1925	1680		1	3.23
14	O	1675	1130		1	1.89
15	P	200	480		1	0.10
16	Q	75	900		1	0.07
17	R	4150	650		1	2.70
18	S	550	1150		1	0.63
19	T	4875	8575		1	41.80
20	U	300	3300		1	0.99
21	V	4000	7755		1	32.57
22	W	575	175		1	0.10
23	X	1895	650		1	1.23
24	Y	3374	6900		1	23.28
25	Z	750	1850		1	1.39
26	A'	200	1400		1	0.28
27	B'	750	1800		1	1.35
28	C'	425	800		1	0.34
29	D'	2300	225		1	0.52
30	E'	50	250		1	0.01
31	F'	2325	400		1	0.93
32	G'	300	250		1	0.08
33	H'	575	650		1	0.37
34	J'	1050	1625		1	1.71
35	K'	500	1675		1	0.84
36	L'	400	3450		1	1.38
37	M'	4200	9450		1	39.69
38	N'	3000	3100		-1	-9.30
39	O'	5600	16760		1	160.90
40	Q'	5675	2350		-1	-18.50
41	R'	2452	750		1	1.84
42	S'	1070	3375		1	3.61
43	T'	500	3325		1	1.66
44	U'	1075	1800		1	1.94
45	V'	675	1925		1	1.30
46	W'	950	1800		1	1.71
47	X'	425	2145		1	0.91
48	Y'	1125	3600		1	4.05
49	Z'	2450	625		1	1.53
50	A''	1475	575		1	0.85
51	B''	450	700		1	0.32
52	C''	325	300		1	0.16
53	D''	800	985		1	9.05
54	E''	1900	625		1	1.00
55	F''	1500	1175		1	1.76
56	G''	2450	3515		1	8.61
57	H''	1950	2350		-1	-4.97
58	I''	4539	3775	4440	1	18.46
59	K''	780	4540		0.5	1.77
60	L''	2525	8750		1	21.08
61	M''	4200	1565		1	7.08
62	N''	125	625		1	0.08
63	O''	75	900		1	0.07
64	P''	675	125		2	0.17
TOTAL BUILT UP AREA (A)						567.34
AREA DEDUCTION - STAIRCASE, LIFT LOBBY (NON FAR)						
65	P'	3125	5385		1	16.828
66	T'	4022	3273	4359	1	15.899
67	V'	691	4022		0.5	1.39
68	Lift lobby 1				1	3.00
69	Lift lobby 2				1	3.00
TOTAL NON FAR AREA (B)						40.12
TOTAL FAR AREA (A+B)						607.46

AREA CALCULATION FOR CLUSTER 3 - 4TH FLOOR (7TH & 11TH FLOOR SIMILAR)						
SL. NO.	REGION	Length (in mm)	Width (in mm)	Height (in mm)	Factor	AREA (in Sq.M)
1	A	550	2075		1	1.14
2	B	3775	575		1	2.17
3	C	9500	1105		1	10.50
4	D	4200	575		1	2.42
5	E	1925	500		1	0.96
6	F	3600	1130		1	4.07
7	G	1475	480		1	0.71
8	H	3600	1130		1	4.07
9	J	550	1925		1	1.06
10	K	4875	805		1	39.46
11	L	1950	2350		-1	-4.97
12	M	75	3525		1	0.26
13	N	550	2075		1	1.14
14	P	4050	1050		1	4.25
15	Q	15200	850		1	129.50
16	R	3375	1050		1	3.54
17	S	660	595		1	38.11
18	U	3525	750		1	2.64
19	V	775	2625		1	2.03
20	W	200	425		1	0.09
21	X	500	2775		1	1.39
22	Y	1325	1925		1	2.55
23	Z	775	1800		1	1.40
24	A'	4475	7310		1	32.71
25	B'	5425	7310		1	39.66
26	C'	4200	495		1	18.88
27	D'	575	175		1	0.10
28	E'	2300	800		1	1.76
29	F'	100	1855		1	0.19
30	G'	550	3050		1	1.61
31	H'	3575	6900		1	24.67
32	J'	425	800		1	0.34
33	K'	2300	225		1	0.52
34	L'	300	580		1	1.74
35	M'	2325	400		1	0.93
36	N'	50	250		1	0.01
37	P'	3600	650		1	2.34
38	Q'	550	1025		1	0.89
39	R'	3025	6400		1	19.36
40	S'	200	3625		1	0.73
41	T'	2525	1300		1	3.28
42	U'	14100	9450		1	133.25
43	V'	3800	3100		-1	-18.80
44	W'	700	125		1	0.09